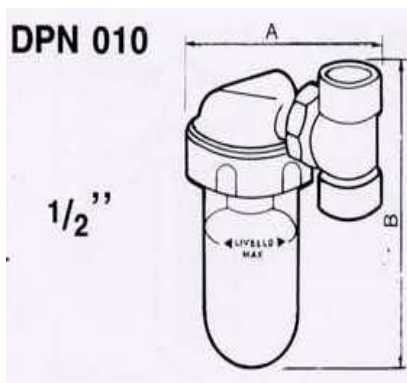
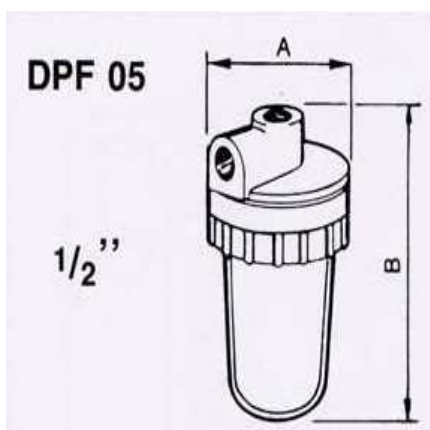


Hidrodinamični proporcionalni dozator
 Glava in obroč iz kromirane medenine
 Ventil za prezračevanje
 Posoda v transparentnem Trogamid T.
 Vrtljivi priključek iz medenine
 Izjemna natančnost doziranja polifosfata
 v prahu (2 ppm) s sistemom Venturi
 Max pretok 0,7 m³/h
 Dimenzije (mm) A = 110, B = 150
 Rezervni deli: PN 55



Proportional hydrodynamic batcher
 Head and nut in chromum plating brass
 Air - valve
 Bowl in transparent Trogamid T.
 Brass revolving connections allowing to
 fix the batcher in all positions
 Highly exact batching of the powder or
 poliphosphate by Venturi sysem (2ppm)
 Dimensions (mm) A = 110, B = 150
 Refill PN 55

Dozator polifosfata v kristalih
 Glava in obroč iz polipropilena
 Posoda v transparentnem AS
 Priključki 1/2" in 90° z vrhnjim izhodom
 Tesnila O – ring
 Predvideno doziranje polifosfata 2-3 gr/m³
 Max pretok 0,7 m³/h
 Dimenzije (mm) A = 91, B = 165
 Rezervni deli: PFD 05



Poliphosphate batcher
 Head and nut polypropylene
 Bowl in transparent AD
 O – ring seals
 Connections 1/2" at 90° angle/top outlet
 Flow rate max 0,7 m³/h,
 Dimensions (mm) A = 91, B = 165
 Dose aprox 2-3 m³/h
 Refill: PFD 05

Dozator polifosfata v kristalih
 Glava in obroč iz kromirane medenine
 Posoda v transparentnem Trogamid T.
 Tesnila O – ring
 Predvideno doziranje polifosfata 2-3 gr/m³
 Max pretok 0,7 m³/h
 Dimenzije (mm) A = 95, B = 163
 Rezervni deli: PFD 05



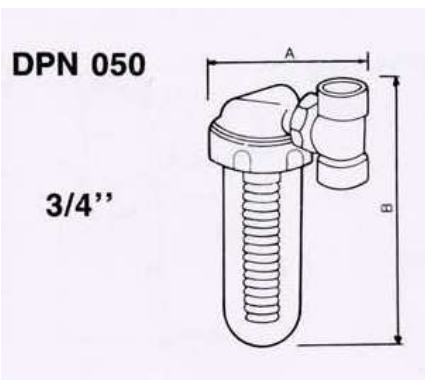
Poliphosphate batcher
 Head and nut in chromum plating brass
 Bowl in transparent Trogamid T.
 O – ring seals
 Dose aprox 2-3 m³/h
 Flow rate 0,7 m³/h
 Dimensions (mm) A = 95, B = 163
 Refill PFD 05

Dozator polifosfatov
 Glava in obroč iz polipropilena
 Posoda v transparentnem polikarbonatu
 Priključki 3/4" - 1"
 O-ring tesnila
 Polifosfati v kristalih
 Doziranje 2-3 gr/m³/h
 Dimenzije (mm): A = 126, B = 326
 Rezervni deli: PFD 35
Verzija DPF 35/DT: Brez kartuše, vendar
 Z transparentno posodo s polifosfati v
 Kristalu. (Rezervni deli PNC)



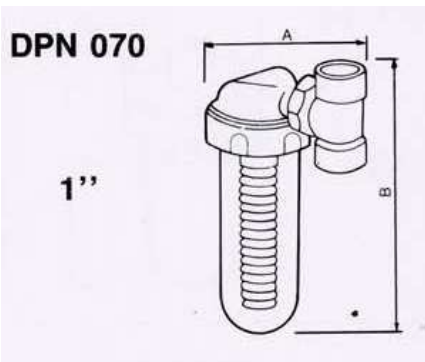
Poliphosphate batcher
 Head and nut in polypropilene
 Bowl in transparent polycarbonate
 Connections 3/4" - 1" with brass insert
 O-ring seal
 Poliphosphate salts contained in a
 cylinder, transparent cartridge, with
 dosing rate about 2-3 gr/m³
 Max flow rates(m³/h) 3/4" = 2,0 / 1" = 2,5
 Dimensions (mm): A = 126, B = 326
 Refill PFD 35
DPF 35/TD: Polyphosphate salts
 Contained bowl without cartridge
 (Refill PNC)

Hidrodinamični proporcionalni dozator
 Glava in obroč iz kromirane medenine
 Posoda v transparentnem polikarbonatu
 Vrtljivi priključek iz medenine
 Izjemna natančnost doziranja polifosfata
 v prahu (2 ppm) s sistemom Venturi
 Max pretok 2,5 m³/h
 Dimenzije (mm): A = 120, B = 320
 Rezervni deli: PN 55



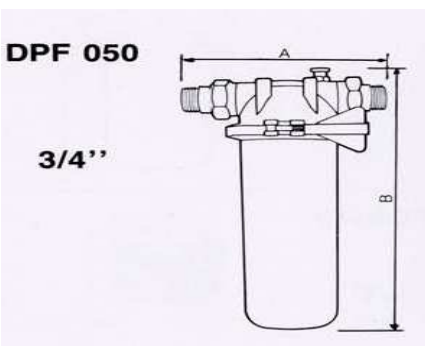
Proportional hydrodynamic batcher
 Head and nut in chromum planting bras
 Bowl in transparent polycarbonate
 Brass revolving connections allowing to
 fix the batcher in all positions
 Highly exact batching of the powder of
 poliphosphate by Venturi system(2ppm)
 Flow rate 2,5 m³/h
 Dimensions (mm) A = 120, B = 320
 Refill PN 55

Hidrodinamični proporcionalni dozator
 Glava in obroč iz kromirane medenine
 Posoda v transparentnem polikarbonatu
 Vrtljivi priključek iz medenine
 Izjemna natančnost doziranja polifosfata
 v prahu (2 ppm) s sistemom Venturi
 Max pretok 3,0 m³/h
 Dimenzije (mm): A = 120, B = 320
 Rezervni deli: PN 55



Proportional hydrodynamic batcher
 Head and nut in chromum planting bras
 Bowl in transparent polycarbonate
 Brass revolving connections allowing to
 fix the batcher in all positions
 Highly exact batching of the powder of
 poliphosphate by Venturi system(2ppm)
 Flow rate 3,0 m³/h
 Dimensions (mm) A = 120, B = 320
 Refill PN 55

Dozator polifosfata v kristalih
 Glava in obroč iz kromirane medenine
 Posoda v transparentnem polikarbonatu
 Doziranje 2-3 gr/m³
 Priključki 3/4"
 Tesnila O - ring
 Kartuša s polifosfatnimi kristalnimi solmi
 Max pretok 2 m³/h
 Dimenzije (mm) A = 155, B = 340
 Rezervni deli: PFD 35



Poliphosphate batcher
 Head and nut in chromum planting bras
 Bowl in transparent polycarbonate
 O-ring seal
 Dose 2-3 g/m³
 Connections 3/4"
 Cartridge containing polyphosphate salt
 Flow rate 2 m³/h
 Dimensions (mm) A = 155, B = 340
 Refill: PFD 35

Dozator polifosfata v kristalih
Glava in obroč iz kromirane medenine
Posoda v transparentnem polikarbonatu
Doziranje 2-3 gr/m³
Priključki ¾"
Tesnila O – ring
Kartuša s polifosfatnimi kristalnimi solmi
Max pretok 2 m³/h
Dimenzije (mm) A = 155, B = 340
Rezervni deli: PFD 35
DPF 070/TD: Brez kartuše, vendar
transparentno posodo z polifosfati v
kristalu. (Rezervni deli PNC)



Poliphosphate batcher
Head and nut in chromum planting bras
Bowl in transparent polycarbonate
O-ring seal
Dose 2-3 g/m³
Connections ¾"
Cartridge containing polyphosphate salt
Flow rate 2 m³/h
Dimensions (mm) A = 155, B = 340
Refill: PFD 35
DPF 070/TD: Polyphosphate salts
Contained bowl without cartridge
(Refill PNC)